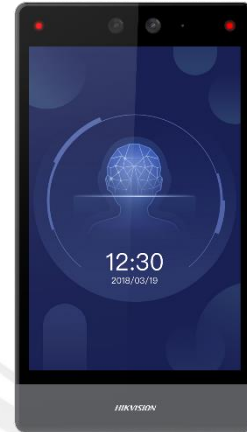


## DS-K1T680D-E1 Face Recognition Terminal



Face recognition terminal is a kind of access control device for face recognition, which is mainly applied in security access control systems, such as logistic centers, airports, university campuses, alarm centrals, dwellings, etc.

- 8-inch touch screen with bezel-less design
- Presents card on the screen to authenticate
- Face recognition distance: 0.3 m to 3 m, duration < 0.2 s/User, accuracy rate ≥ 99%
- 100,000 face capacity, 100,000 card capacity (Felica, DESfire, M1), and 150,000 event capacity
- Supports ISAPI, ISUP 5.0, Wiegand, RS-485, TCP/IP, and PoE
- Two-way audio with indoor station and main station
- Configuration via the web client and mobile client
- Customizes attendance status name

*\*Biometric recognition products are not 100% applicable to anti-spoofing environments. If you require a higher security level, use multiple authentication modes.*

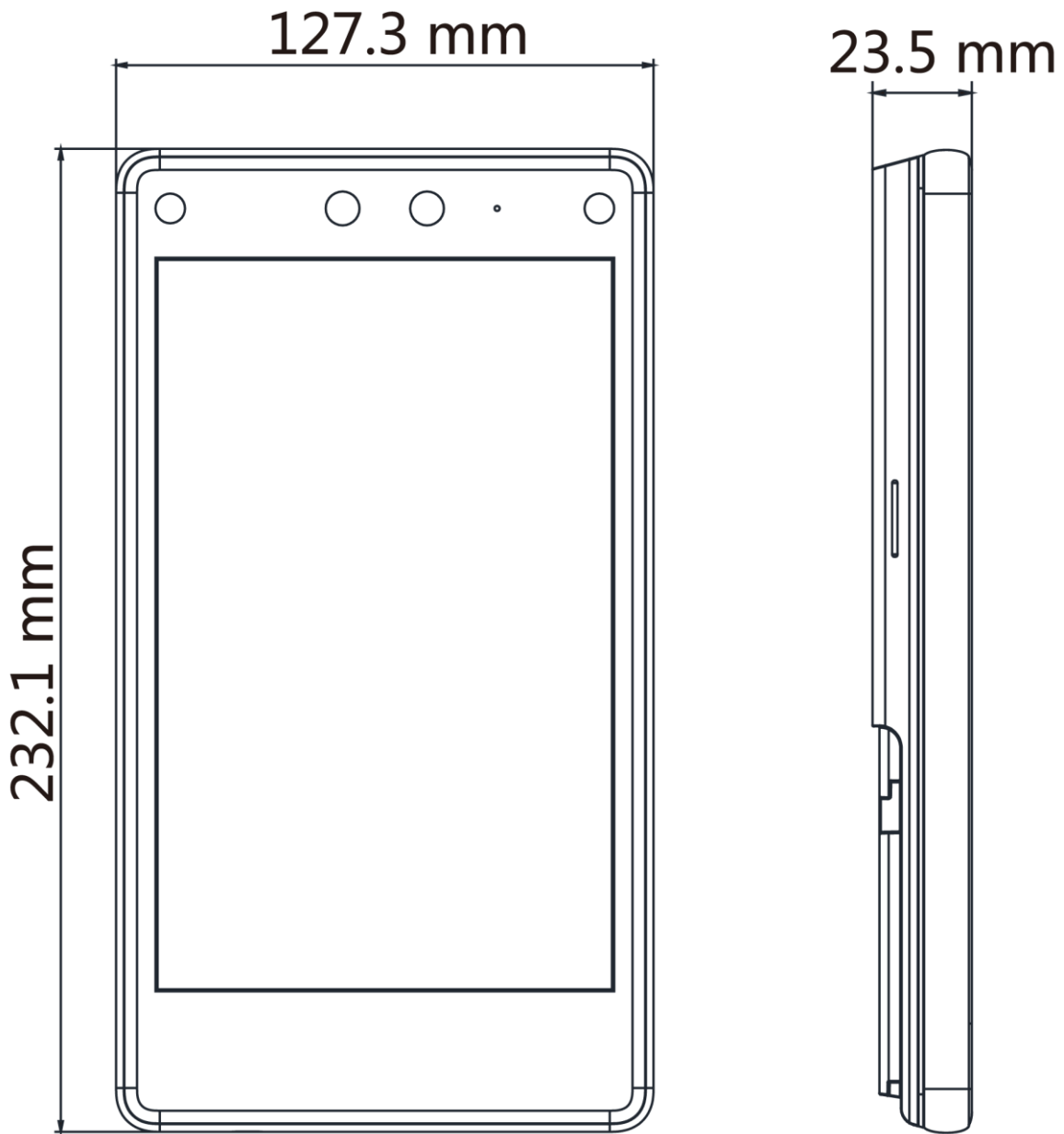
## ▪ Specification

<b>Display</b>	
Screen size	8-inch
Operation method	Capacitive touch screen
<b>Video</b>	
Lens	× 2
Resolution	2 MP
FOV	HFOV= 88°; VFOV= 44°; DFOV=108°
<b>Network</b>	
Wired network	10 M/100 M/1000 M self-adaptive
Wi-Fi	Not support
<b>Interface</b>	
Network interface	1
Lock control	1
Exit button	1
Door contact input	1
Alarm input	2
Alarm output	1
TAMPER	1
RS-485	1
Wiegand	1
USB	1
<b>Authentication</b>	
Card type	DESfire card, Felica card
<b>Function</b>	
Language	English, Thai, Brazilian Portuguese, Russian, Spanish, Arabic, Japanese, Ukrainian, and Indonesian
QR code recognition	Support. The dimension of the recognized QR code picture should be larger than 6 cm × 6 cm.
Face anti-spoofing	Support
Hik-Connect	Support
Time synchronization	Support
<b>General</b>	
Power supply	12-24 VDC, 3 A, Standard PoeE
Working temperature	-30 °C to 60 °C (-22 °F to 140 °F)
Working humidity	0 to 90% (No condensing)
Dimensions	127.3 mm × 232.1 mm × 23.5 mm (5.0" × 9.1" × 0.9" )
Power supply method	12 VDC/24 VDC Power Adapter

## ▪ Available Model

DS-K1T680D-E1

▪ Dimension



BAINISYS

117/8, Changwatthana 10, LakSi, Bangkok 10210

Phone : (66 2) 094-0800

E-mail : sale@bainisys.com

Line Chat : @Bainisys

