

## DS-K1T642M Face Recognition Terminal



- Forced mask wearing alert: If the recognizing face does not wear a mask, the device will prompt a voice reminder. At the same time, the authentication or attendance will be failed
- Face mask wearing alert: If the recognizing face does not wear a mask, the device will prompt a voice reminder. At the same time, the authentication or attendance is valid
- Face recognition distance: 0.3 m to 3 m
- Max. 6000 faces capacity, Max.10,000 cards, and Max. 150,000 event capacity
- Face recognition duration < 0.2 s/Userface recognition accuracy rate ≥ 99%
- Two-way audio with indoor station and main station
- Supports 6 attendance status, including check in, check out, break in, break out, overtime in, overtime out
- Remotely opens door and starts live view via Hik-Connect
- Configuration via the web client
- Supports ISAPI and ISUP5.0 protocol



## ▪ Specification

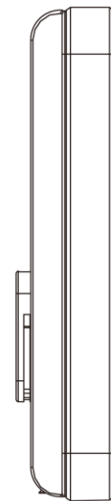
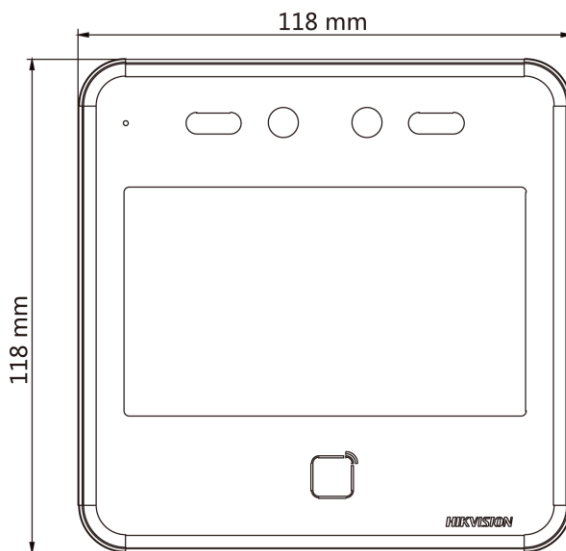
<b>Display</b>	
Dimensions	4.3-inch
Type	IPS Full Screen
Operation method	Capacitive touch screen
<b>Video</b>	
Pixel	2 MP
Lens	× 2
<b>Audio</b>	
Tone quality	Noise suppression and echo cancellation
<b>Network</b>	
Communication protocol	ISUP 5.0, ISAPI, NetSDK, HikCentral Pro OpenAPI, and Hik-ProConnect OpenAPI
Wired network	10 M/100 M/1000 M self-adaptive
<b>Interface</b>	
Network interface	1
Lock output	1
Exit button	1
Door contact input	1
Power interface	2-pin
<b>Capacity</b>	
Face capacity	6000
Card capacity	10,000
Event capacity	150,000
<b>Authentication</b>	
Face recognition distance	0.3 to 3 m
Face recognition accuracy rate	> 99%
Face recognition duration	< 0.2 s
Card type	Mifare 1 card
Card reading frequency	13.56MHz
<b>Function</b>	
QR code recognition	Support
Face anti-spoofing	Support
Audio prompt	Support
Time synchronization	Support
<b>General</b>	
Power supply method	12V/2A (power adapter not included)
Working temperature	-10 °C to 50 °C (14 °F to 122 °F)
Working humidity	0 to 90% (No condensing)
Dimensions	118 mm × 118 mm × 20 mm (4.6" × 4.6" × 0.7")
Application environment	Indoor
Installation	Surface, optional base stand
Language	English, Spanish (South America), Arabic, Thai, Indonesian, Russian, Vietnamese, Portuguese (Brazil)

Platform

Hik-ProConnect and HikCentral Professional

**▪ Available Model**

DS-K1T642M

**▪ Dimension****BAINISYS**

117/8, Changwatthana 10, LakSi, Bangkok 10210

Phone : (66 2) 094-0800

E-mail : sale@bainisys.com

Line Chat : @Bainisys

