

## DS-PM-MR

### MBUS Repeater

DS-PM-MR works with MBUS security control panel. It can extend the distance of MBUS and amplify the signal to improve communication quality.

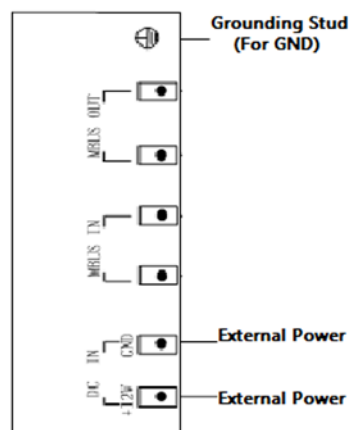
Dimensions (L x W x H): 74mm x 135mm x 28mm



### MAIN FEATURES

- Power off both the module and control panel and set the DIP address on the module before installation.
- DIP address: 1~253. (Different expanders can't use same address)
- MBUS non-polarity

### PHYSICAL INTERFACE



## SPECIFICATIONS

<b>Module Parameters</b>	MBUS Repeater can work with multiplexing MBUS extension module	Single Input Extension Module. Dual-Input Extension Module. 8-Input Extension Module. 4-ch Output Extension Module. Single Output Extension Module. 32-ch Output Extension Module.
	Voltage	12 VDC
	Current	Maximum 1.5A
	Working Temperature	-10°C to +55°C
	Working Humidity	10% to 90%
<b>Cable Parameters</b>	Cable maximum resistance	Rated value 29.04Ω, +20°C
	Cable transmission distance and cross-sectional area	Transmission Distance:2400m , Cross-sectional area: 1.5mm <sup>2</sup> Transmission Distance:1600m, Cross-sectional area: 1.0mm <sup>2</sup>



**BAINISYS**

117/8, Changwatthana 10, LakSi, Bangkok 10210

Phone : (66 2) 094-0800

E-mail : sale@bainisys.com

Line Chat : @Bainisys

