

## DS-PM-MI1

### MBUS Single Input Expander

The DS-PM-MI1 is MBUS Single Input Expander with 8.2K EOL.

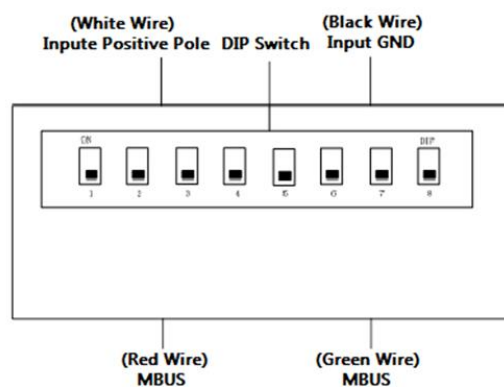
Dimension(L x W x H): 62mm x 33 mm x 19.5mm



#### INSTRUCTION

- Power off both the module and control panel and set the DIP address on the module before installation.
- DIP address: 1~253. (Different expanders can't use same address)
- MBUS non-polarity

#### PHYSICAL INTERFACE



**BAINISYS**

117/8, Changwatthana 10, LakSi, Bangkok 10210

Phone : (66 2) 094-0800

E-mail : sale@bainisys.com

Line Chat : @Bainisys

