

# DS-KV6113-WPE1(C)

## Video Intercom Villa Door Station

**HIKVISION**<sup>®</sup>



### Key Feature

- Support Wifi (Only available in DS-KV6113-WPE1 model), convenient setting up and no wiring required
- Support web configuration
- Nice industry design, IP65, 2 indicator integrated
- Internal Mifare card reader, 1-ch Indoor station access control
- Noise suppression and echo cancellation
- 2MP HD Camera with IR supplement
- Standard PoE/ 12 VDC

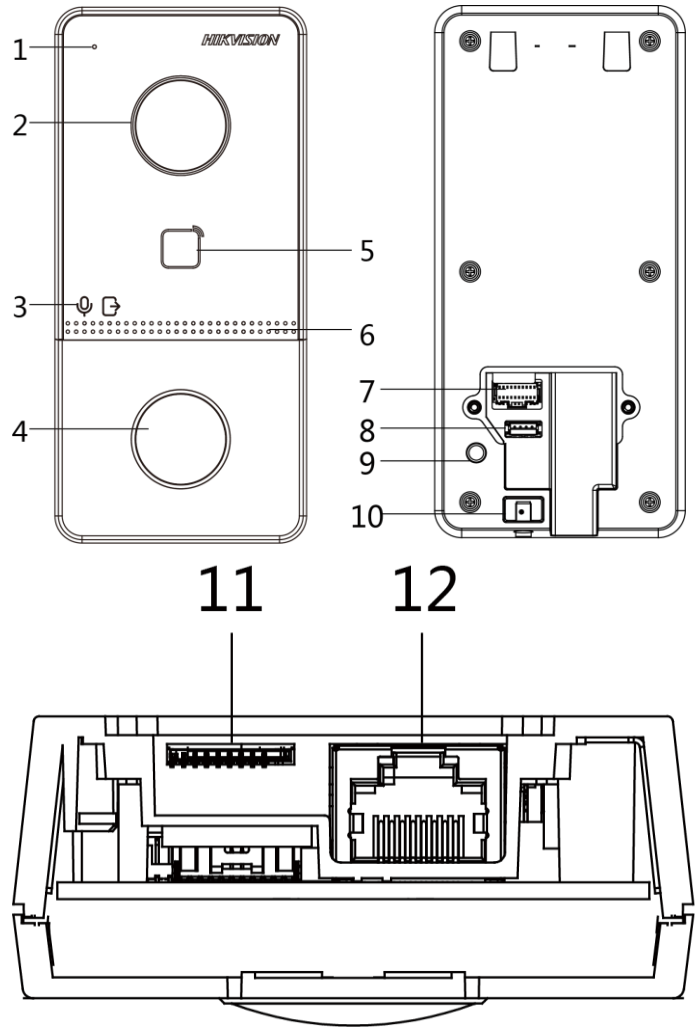
### Specification

System parameters	
Operating system	Embedded Linux operation system
ROM	32 M
RAM	256 M
CPU	Embedded MCU Processor
Display parameters	
Screen size	/
Operation method	/
Type	/
Resolution	/
Video parameters	
Lens	1
Resolution	Main stream: 1920 × 1080p, 720p Sub stream: 704 × 576

FOV	Horizontal: 131° Vertical: 78°
WDR	True WDR
Supplement light	IR supplement
Video compression standard	H.264
Audio parameters	
Audio compression standard	G.711 U
Audio input	Built-in omnidirectional microphone
Audio output	Built-in loudspeaker
Audio compression bitrate	64 Kbps
Audio quality	Noise suppression and echo cancellation
Volume adjustment	Adjustable
Capacity	
User capacity	2000
Face capacity	/
Card capacity	10000
Network parameters	
Communication protocol	TCP/IP, RTSP
Wired network	10/100 Mbps self-adaptive Ethernet
Wi-Fi standard	Support
Bluetooth version	Not supported.
3G/4G standard	/

Device interfaces	
Alarm input	4
Network interface	1
TAMPER	1
Exit button	1
RS-485	1
USB	0
Wiegand	0
TF card	Reserved
Alarm output	0
Lock control	1
Door contact input	1
Power interface	1
General	
Button	1
Installation	Surface mounting
Indicator	2
Weight	265g
Protective level	IP65
Working temperature	-40° C to +55° C (-40° F to 131° F)
Working humidity	10% to 95%
Dimensions	138 mm × 65 mm × 27 mm
Indicator	2
Battery	/
Application environment	Outdoor
Power consumption	< 10 W
Language	English, French, Portuguese (Brazil), Spanish, Russian, German, Italian, Polish, Arabic, Turkish, Vietnamese, Hungarian, Dutch, Romanian, Czech, Bulgarian, Ukrainian, Croatian, Serbian

## Physical Interface



No.	Description	No.	Description
1	Microphone	7	Terminals
2	Camera	8	Debugging Port
3	Indicator	9	TAMPER
4	Button	10	Set Screw
5	Card Reading Area	11	TF Card Slot (Reserved)
6	Loudspeaker	12	Network Interface

## Available Model

DS-KV6113-WPE1(C)

**Dimension**

