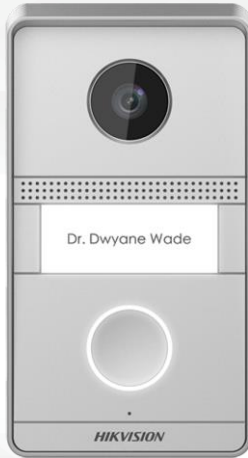


# DS-KV1101-ME2/Flush Video Intercom Two-Wire Analog Door Station

**HIKVISION**<sup>®</sup>



## Key Feature

- 2-wire plug & play, easy, cost-efficient
- 2MP HD colorful camera
- View in color, even in darkness
- One-touch calling with nametag
- IP65 water resistant, preventing from water Ingress
- IK7 vandal resistant
- 2 Lock relays, power supply for one electric lock(Up to 12V 1A)

## Specification

System parameters	
Operating system	Embedded Analog operation system
ROM	/
RAM	/
CPU	/
Display parameters	
Screen size	/
Operation method	/
Type	/
Resolution	/
Video parameters	
Video standard	/
Supplement light	White light supplement
Lens	Low Illumination 2 MP HD IR Camera
FOV	Horizontal: 100° , Vertical: 69°

WDR	Support
	Main stream : 1920 × 1080
Resolution	Sub stream : 720 × 480

### Audio parameters

Audio input	Built-in omnidirectional microphone
Audio compression standard	/
Audio output	Built-in loudspeaker (More than 85 dB within 20 cm)
Audio compression bitrate	/
Audio quality	/
Volume adjustment	Adjustable with screwdriver

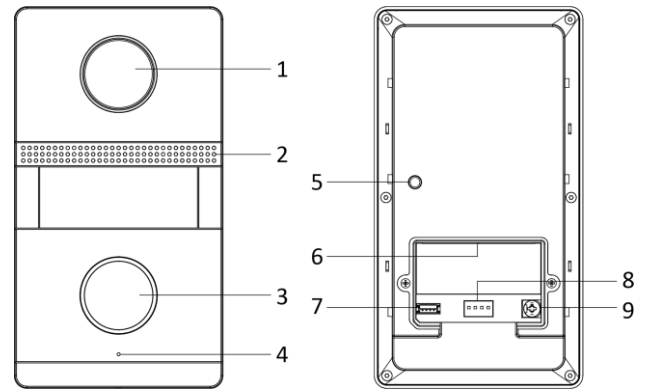
### Capacity

Fingerprint capacity	/
User capacity	/
Face capacity	/
Linked indoor station capacity	/
Event capacity	/

### Network parameters

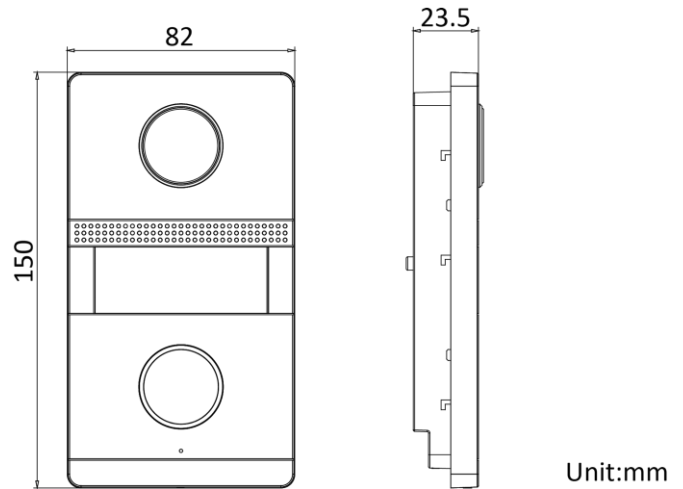
Communication protocol	/
Wired network	/
Wi-Fi	/
Bluetooth	/

3G/4G	/
<b>Device interfaces</b>	
Alarm input	4
Network interface	/
TAMPER	1
Exit button	2
RS-485	/
USB	/
Wiegand	/
TF card	/
Alarm output	/
Lock control	2, locking time can be adjusted via DIP switch ( Max. 7 s)
Door contact input	2
Power interface	/
DIP switch	4
<b>General</b>	
Button	1
Installation	Flush mounting
Indicator	/
Weight	With package: 508.1 g Without package: 355.2 g
Protective level	IP65, IK7
Working temperature	-30 ° C to +60 ° C (-22 ° F to 140 ° F)
Working humidity	10% to 90%
Dimensions	150 mm × 82 mm × 23.5 mm (5.91" × 3.23" × 0.93")
Battery	/
Power supply	48 VDC, 0.5 A
Application environment	Outdoor
Power consumption	≤ 12 W



No.	Description	No.	Description
1	Camera	6	Terminals
2	Loudspeaker	7	Debugging Port
3	Call Button	8	DIP Switch
4	Microphone	9	Volume Adjust
5	TAMPER		

## Dimension



## Available Model

DS-KV1101-ME2/Flush

## Physical Interface

