



reddot award 2017
winner

Key Feature

Face Recognition Terminal

- 4.3-inch touch screen
- 2 MP wide-angle dual-lens
- Face anti-spoofing
- Face recognition distance: 0.3 m to 1.5 m
- Deep learning algorithm
- 1500 face capacity, 1500 card capacity, 1500 fingerprint capacity (should be supported by device model) and 150000 event capacity
- Face recognition duration < 0.2 s/User; face recognition accuracy rate ≥ 99%
- Capture linkage and captured pictures storage
- Transmits card and user data from or to the client software via TCP/IP protocol and saves the data on the client software
- Imports pictures from the USB drive to the device or export pictures, events, from the device to the USB flash drive
- Stand-alone operation
- Manage, search and set device data after logging in the device locally
- Connects to one external card reader via RS-485 protocol
- Connects to secure door control unit via RS-485 protocol to avoid the door opening when the terminal is destroyed
- Connects to external access controller or Wiegand card reader via Wiegand protocol
- Two-way audio with indoor station and master station

- Supports 6 attendance status, including check in, check out, break in, break out, overtime in, overtime out
- Configuration via Web client
- Remotely opens door and starts live view via Hik-Connect
- Supports ISAPI and EHome 5.0 protocols

Network Indoor Station

- 7-inch IPS touch screen, user-friendly interface, plug & play
- 8.6 mm ultra-slim design, aerospace-grade aluminum panel
- Supports Wi-Fi and PoE for easy installation
- Receives video call and unlocks door via mobile App anywhere, anytime
- Supports live view of up to 16 network cameras

Specification

Face Recognition Terminal

System parameters

Operation system	Embedded Linux operation system
------------------	---------------------------------

Screen

Size	4.3-inch
Resolution	800 × 480
Operation method	Capacitive touch screen

Camera

Pixel	2 MP
WDR	Support
Lens	2
Video standard	PAL (Default) and NTSC

Audio

Audio input	Built-in omnidirectional microphone
Audio output	Built-in loudspeaker
Volume adjustment	Adjust via device or client

Network

Wired network	10/100/1000 Mbps self-adaptive
Communication protocol	EHome 5.0

Interfaces

Network interface	1, RJ45
RS-485	1
Wiegand	Wiegand 26 and Wiegand 34
Lock output	1
Exit button	1
Door contact input	1
Power interface	1
TAMPER switch	1
USB	1, USB 2.0

Capacity

Card capacity	1500
Face capacity	1500
Fingerprint capacity	/
Event capacity	150000

Authentication

Card type	Mifare 1
Card reading distance	0 to 3 cm
Card reading duration	< 1 s
Face recognition duration	< 0.2 s
Face recognition distance	0.3 to 1.5 m
Fingerprint recognition duration	/

Function

Face anti-spoofing	Support
Live view	Supports live view on the platform, H.264
Face recognition	Supports face recognition in low illumination
Access control management	Support multiple authentication methods

General

Protection level	IP65
Power supply	12 VDC, 2A
Working temperature	-30 °C to 60 °C (-22 °F to 140 °F)
Working humidity	0 to 90% (No condensing)

Indoor Station

System parameters

Memory	128 MB
Flash	32 MB
Operation system	Embedded Linux operation system

Display parameters

Display screen	7-inch colorful IPS LCD
Display resolution	1024 × 600
Operation method	Capacitive touch screen, physical button

Audio parameters

Audio input	Built-in omnidirectional microphone
Audio output	Built-in loudspeaker
Audio compression standard	G.711 U
Audio compression rate	64 Kbps
Audio quality	Noise suppression and echo cancellation

Network parameters

Wired network	10/100 Mbps self-adaptive
Wireless network	Wi-Fi 802.11 b/g/n
Network protocol	TCP/IP, SIP, RTSP

Interface

Network interface	1 RJ-45 10/100 Mbps self-adaptive
Alarm input	8-ch alarm inputs
I/O output	2
TF card	Max to 32 G, SD 2.0 or lower version
RS-485	Supported

General

Power supply	IEEE802.3af, standard PoE 12 VDC/1 A
Power supply via detector	12 V, 200 mA
Power consumption	≤ 7 W
Working temperature	-10 °C to 55 °C (14 °F to 131 °F)

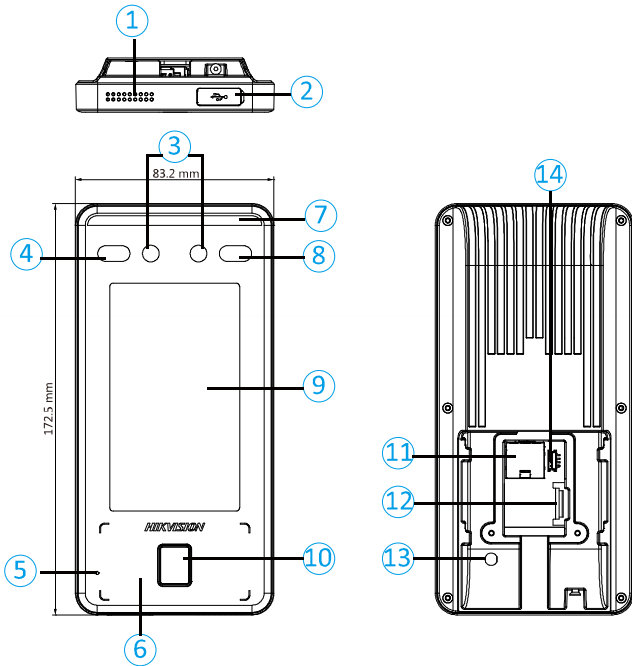
Working humidity	10% to 90%
Dimensions	180 mm × 140 mm × 22.4 mm (7.09" × 5.51" × 0.88")
Weight	899 g (with packaging) 355 g (without packaging)

Available Model

DS-KIS901-P

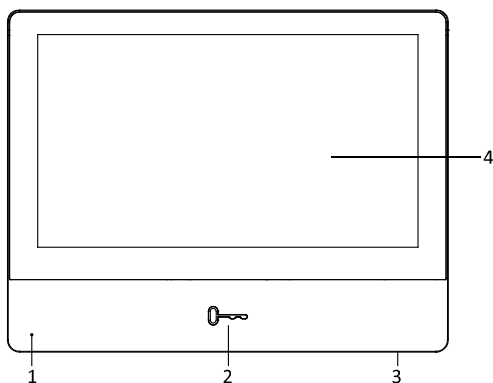
Appearance and Interfaces

Face Recognition Terminals

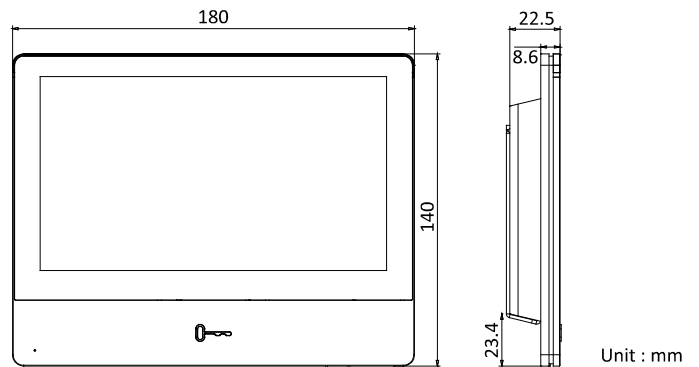


No.	Description	No.	Description
1	Loudspeaker	8	IR Light
2	Micro USB Interface	9	Screen
3	Camera	10	Fingerprint Module
4	IR Light	11	Network Interface
5	Microphone	12	Wiring Terminal
6	Card Presenting Area	13	Tamper
7	White Light	14	Debugging Port

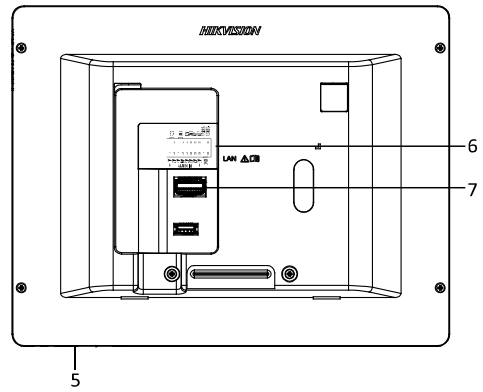
Network Indoor Station



Network Indoor Station



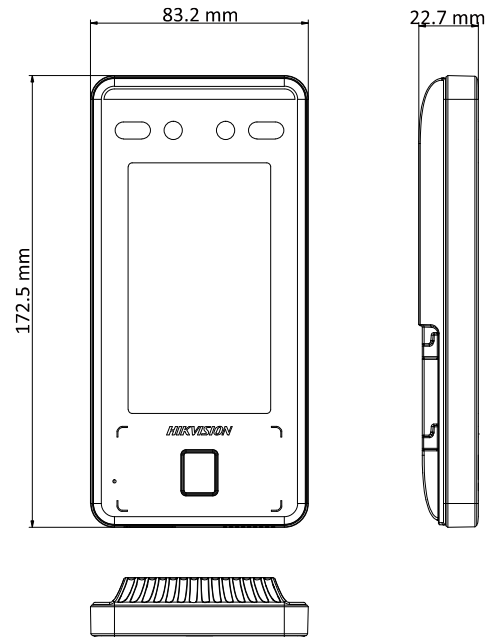
Unit : mm



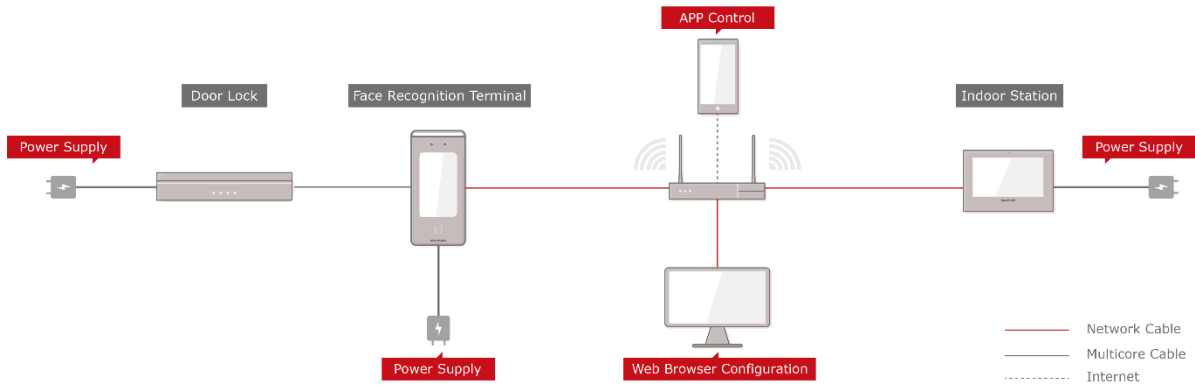
No.	Description	No.	Description
1	Microphone	5	SD Card Slot
2	Unlock Key	6	Network Interface
3	Loudspeaker	7	Power/Alarm Terminal
4	Screen		

Dimension

Face Recognition Terminals



Typical Application



reddot award 2017
winner



BAINISYS

117/8, Changwatthana 10, LakSi, Bangkok 10210
Phone : (66 2) 094-0800
E-mail : sale@bainisys.com
Line Chat : @Bainisys

