

DS-KIS101-P/Surface Video Intercom Two-Wire Analog Bundle

HIKVISION



Key Feature

- 2-Wire plug & play, easy, cost-efficient
- Receive video call and unlock via indoor station
- 7-inch TFT screen with 1024*600 resolution
- 2MP HD colorful camera
- View in color, even in darkness
- One-touch calling with nametag
- IP65 water resistant, preventing from water ingress
- IK7 vandal resistant
- 2 lock relays, power supply for one electric lock (Up to 12V 1A)

Specification

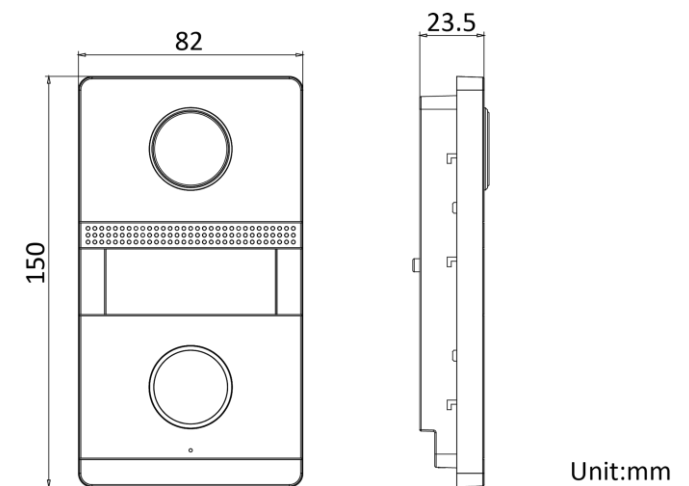
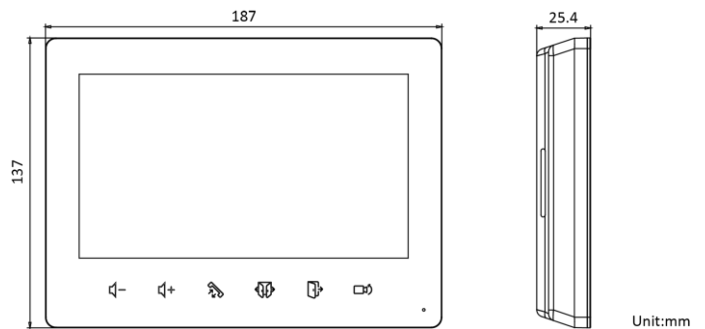
Door station	
Supplement light	White light supplement
Lens	Low Illumination 2 MP HD IR Camera
FOV	Horizontal: 100° , Vertical: 69°
WDR	Support
Resolution	2MP
Door station	
Audio input	Built-in omnidirectional microphone
Audio output	Built-in loudspeaker (More than 80 dB within 20 cm)
Volume adjustment	Adjustable with screwdriver
Door station	
Alarm input	4
Two-Wire	1
TAMPER	1

Exit button	2
Lock control	2, lock duration can be adjusted via DIP switch (Max. 7 s)
Door contact input	2
Power supply for lock	1, Max. 12 V 1 A
Debugging port	1
Door station	
Button	1
Installation	Surface mounting with protective shield
Protective level	IP65, IK7
Working temperature	-30 ° C to +60 ° C (-22 ° F to 140 ° F)
Working humidity	10% to 90%
Dimensions	150 mm × 82 mm × 23.5 mm (5.91" × 3.23" × 0.93")
Power supply	48 VDC, 0.5 A
Application environment	Outdoor
Power consumption	≤ 12 W
Door station	
Operation system	Embedded analog operation system
Indoor station	
Size	7-inch TFT non-touch screen
Operation method	6 touch buttons
Type	Colorful TFT screen

Resolution	1024 × 600
Indoor station	
Audio input	Built-in omnidirectional microphone
Audio output	Built-in loudspeaker (More than 80 dB within 20 cm)
Audio quality	/
Volume	Adjustable via touch-button
Audio compression Rate	/
Indoor station	
Two-wire	3
Indoor station	
Power supply	48 VDC
Power consumption	≤ 5 W
Working temperature	-10 ° C to 50 ° C (14 ° F to 122 ° F)
Working humidity	10% to 90%
Dimensions (W × H × D)	187 mm × 137 mm × 25.4 mm (7.36" × 5.39" × 1.00")
Installation	Surface mounting
Button	6
Indoor station	
Operation system	Embedded analog operation system

No.	Description	No.	Description
1	Screen	12	DIP Switch
2	Microphone	13	Debugging Port
3	Volume +	14	Camera
4	Volume -	15	Loudspeaker
5	Receive /Decline	16	Call Button
6	Unlock Door 2	17	Microphone
7	Unlock Door 1	18	TAMPER
8	Monitor /Switch	19	Terminals
9	Terminals	20	Debugging Port
10	Loudspeaker	21	DIP Switch
11	Power Terminal	22	Volume Adjust

Dimension



Available Model

DS-KIS101-P/Surface

Physical Interface

