

DS-KH6320-WTDE1

Network Indoor Station

HIKVISION



Key Feature

- UI V2.0: User friendly design
- 7-inch colorful touch screen with resolution 1024 × 600
- Standard PoE
- Stores messages and capture pictures in the TF card
- Remote unlocking via the client software or the mobile APP
- Views live videos of door stations and linked cameras
- Connects to KB2 series doorbell directly

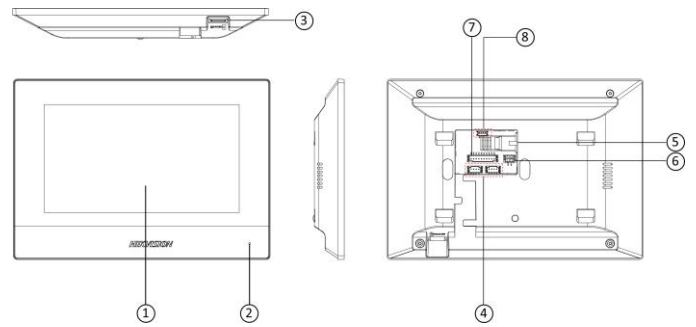
Specification

System parameters	
Operating system	Embedded Linux operation system
ROM	32 MB
RAM	128 MB
CPU	Embedded processor
Display parameters	
Screen size	7-inch
Operation method	Capacitive touch screen
Type	Colorful TFT screen
Resolution	1024 × 600
Video parameters	
Lens	/
Resolution	/
FOV	/
WDR	/
Focal length	/

Audio parameters	
Audio input	Built-in omnidirectional microphone
Audio compression standard	G.711 U G.711 A
Audio output	Buit-in loudspeaker
Audio compression bitrate	64 Kps
Audio quality	Noise suppression and echo cancellation
Volume adjustment	Adjustable
Capacity	
Event capacity	200 captured pictures (with TF card); 200 alarm records 2 MB RAM (without TF card) reserved for events
Notice capacity	200
Linked network camera capacity	16
Linked indoor extensions capacity	0
Linked doorphone capacity	2 analog doorphones, 17 IP doorphones Max.
Network parameters	
Communication protocol	TCP/IP, SIP, RTSP
Wired network	10/100 Mbps self-adaptive
Wi-Fi standard	Wi-Fi 802.11 b/g/n

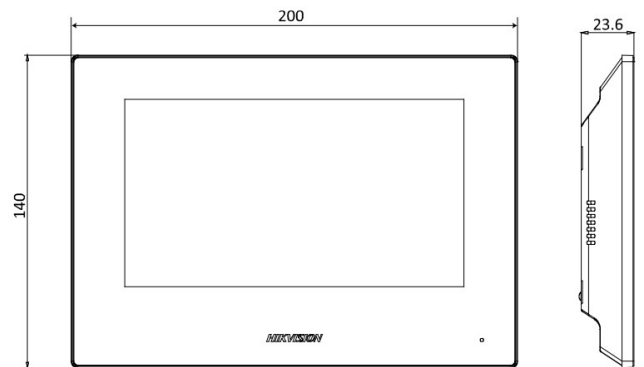
Bluetooth version	/
3G/4G standard	/
Zigbee	/
Device interfaces	
Alarm input	2-ch alarm inputs
TAMPER	/
Network interface	1 RJ-45 10/100 Mbps self-adaptive
RS-485	1
USB	/
TF card	Max to 128 G, SD 2.0 or lower version
Alarm output	2
4-Wire interface	2
General	
Button	0
Installation	Surface mounting
Indicator	0
Weight	With package: 709g (1.56 lb), Without package: 340 g (0.75 lb)
Protective level	/
Working temperature	-10 °C to 55 °C (14 °F to 122 °F)
Working humidity	10% to 90% (no-condensing)
Dimensions	200 mm × 140 mm × 23.6 mm (7.9" × 5.5" × 0.9")
Battery	/
Power supply	IEEE802.3af, Standard PoE,12 VDC
Application environment	Indoor
Power consumption	≤ 6 W
Language	English, French, Portuguese (Brazil), Spanish, Russian, German, Italian, polish, Arabic, Turkish, Vietnamese, Hungarian, Dutch, Romanian, Czech, Bulgarian, Ukrainian, Croatian, Serbian, Greek

Physical Interface



No.	Description
1	Screen
2	Microphone
3	T Card Slot
4	Four-Wire Terminals
5	Network Interface
6	Power Supply Interface
7	Alarm Input/Relay Output/RS-485 Interface
8	Serial Port (For Debugging Use Only)

Dimension



Unit: mm

Available Model

DS-KH6320-WTDE1, DS-KH6320-WTDE1/KIS302-P

