

DS-KB8113-IME1

Vandal-Resistant Doorbell

HIKVISION



Key Feature

- Standard PoE
- 2 MP HD camera
- Noise suppression and echo cancellation
- Low illumination
- Access control functions
- Configuration remotely via Web

Specification

System parameters

Operation system	Embedded Linux operation system
Flash	32 M
RAM	256 M

Video Parameters

Camera	2MP HD camera
Night vision	Low illumination IR supplement mode:3 m
WDR	True WDR
Field of view	Horizontal: 88° Vertical: 45° Diagonal: 106°
Video compression standard	H.264
Stream	Main stream: 1080p@30fps, 720p@30fps Sub stream: D1
Resolution	Main stream: 1920 × 1080p, 720p Sub stream: 704 × 576
Motion detection	Support
Anti-flicker frequency	50 Hz, 60 Hz

Audio parameters

Audio intercom	Two-way audio communication
Audio input	Built-in omnidirectional microphone
Audio output	Built-in loudspeaker
Audio compression standard	G.711 U
Audio compression Rate	64 Kbps
Audio quality	Noise suppression and echo cancellation

Network parameters

Wired network	PoE, 10/100 Mbps self-adapted
Network protocol	TCP/IP, RSTP

Access control parameters

Swiping card frequency	/
Relay	1

Interfaces

Debugging port	1
Alarm input	1
Grounding	1

General

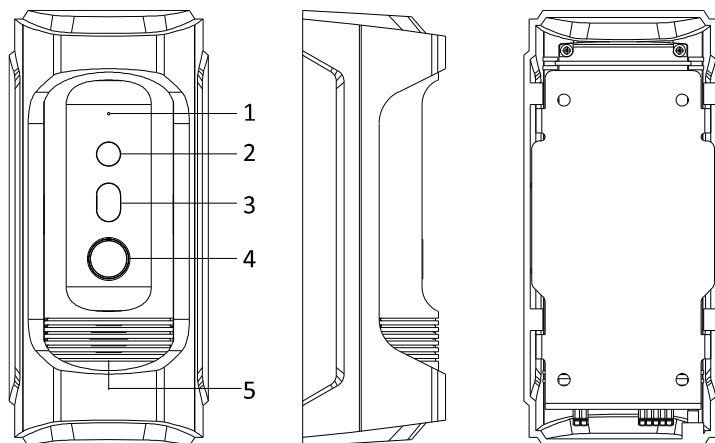
Protection level	IP65, IK09
Button	1
Power supply	IEEE802.3af, standard PoE 12 VDC
Power consumption	< 10 W
Working temperature	-30° C to +50° C (-22° F to 122° F)
Working humidity	10% to 90%
Heat module	Support
Installation	Surface mounting
Dimension	161.85 mm × 74.13 mm × 53.2 mm (6.37" × 2.92" × 2.09")



Available Model

DS-KB8113-IME1

Appearance and Interfaces



No.	Description	No.	Description
1	Microphone	4	Call Button
2	Built-in Camera	5	Loudspeaker
3	Low Illumination Supplement Light		

Dimension

