

DS-K1T331W Face Recognition Terminal

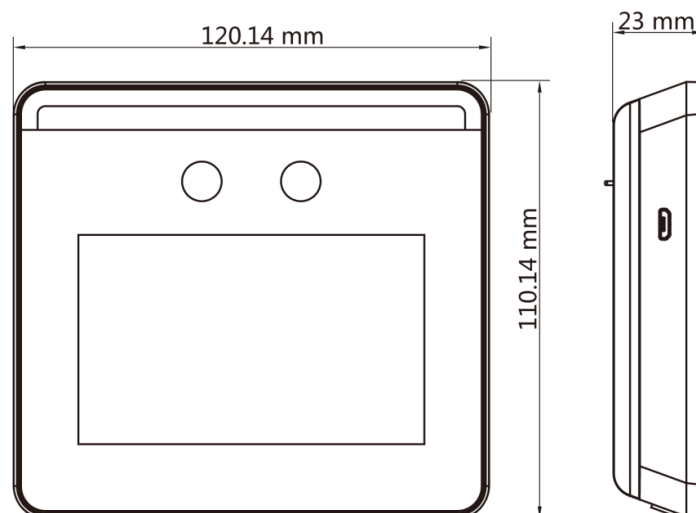


- Face mask wearing alert: If the recognizing face does not wear a mask, the device will prompt a voice reminder. At the same time, the authentication or attendance is valid
- Forced mask wearing alert: If the recognizing face does not wear a mask, the device will prompt a voice reminder. At the same time, the authentication or attendance will be failed
- Face Recognition Access Control Terminal, 3.97-inch LCD touch screen, 2 Mega pixel wide-angle lens
- Max. 1000 faces capacity
- Configuration via the web client
- Supports TCP/IP, Wi-Fi communication
- Supports ISUP5.0, ISAPI

▪ Available Model

DS-K1T331W

▪ Dimension



▪ Specification

System Parameters	
Operation System	Linux
Camera	2 MP dual-lens camera with wide dynamic range
Capacity	Card: 1500 (When connecting external card reader) Face: 1000 Event: 150,000
1:N face recognition duration	< 0.2 s
general	
FOV	HFOV = 41°; VFOV = 75°
LCD Screen	
LCD Screen	3.97-inch touch screen
General	
Face Recognition Distance	0.3 m to 1.5 m
Interface	USB × 1, electric lock × 1, door contact × 1, tamper × 1, exit button × 1, RS-485 × 1
Communication Mode	TCP/IP: 10/100 Mbps, self-adaptive
Power supply	12 V, 1.5 A, 18 W
Working temperature	-10 °C to 55 °C (14 °F to 131 °F)
Working humidity	10 to 90% (no condensing)
Dimension	120 mm × 110 mm × 23 mm (4.7" × 4.3" × 0.9")
Application situation	Indoor use
Language	English, Spanish (South America), Arabic, Thai, Indonesian, Russian, Vietnamese, Portuguese (Brazil)
Platform	Hik-ProConnect and HikCentral Professional
Communication protocol	HikCentral Pro OpenAPI and Hik-ProConnect OpenAPI

