

DS-K1A340X Face Recognition Terminal



The time attendance face recognition terminal supports take attendance via face and other credentials, which is mainly applied in buildings, enterprises, finance buildings, office buildings, security places, etc.

- Local time attendance
- 4.3-inch touch screen and 2 MP camera
- Face anti-spoofing; Face recognition distance: 0.3 m to 1.5 m
- Face recognition duration < 0.2 s/User; face recognition accuracy rate ≥ 99%
- Deep learning algorithm
- 1500 face capacity, and 300,000 attendance records
- Export registered face pictures and events from device via USB interface
- Manage, search and set device data after logging in the device locally

**Biometric recognition products are not 100% applicable to anti-spoofing environments. If you require a higher security level, use multiple authentication modes.*

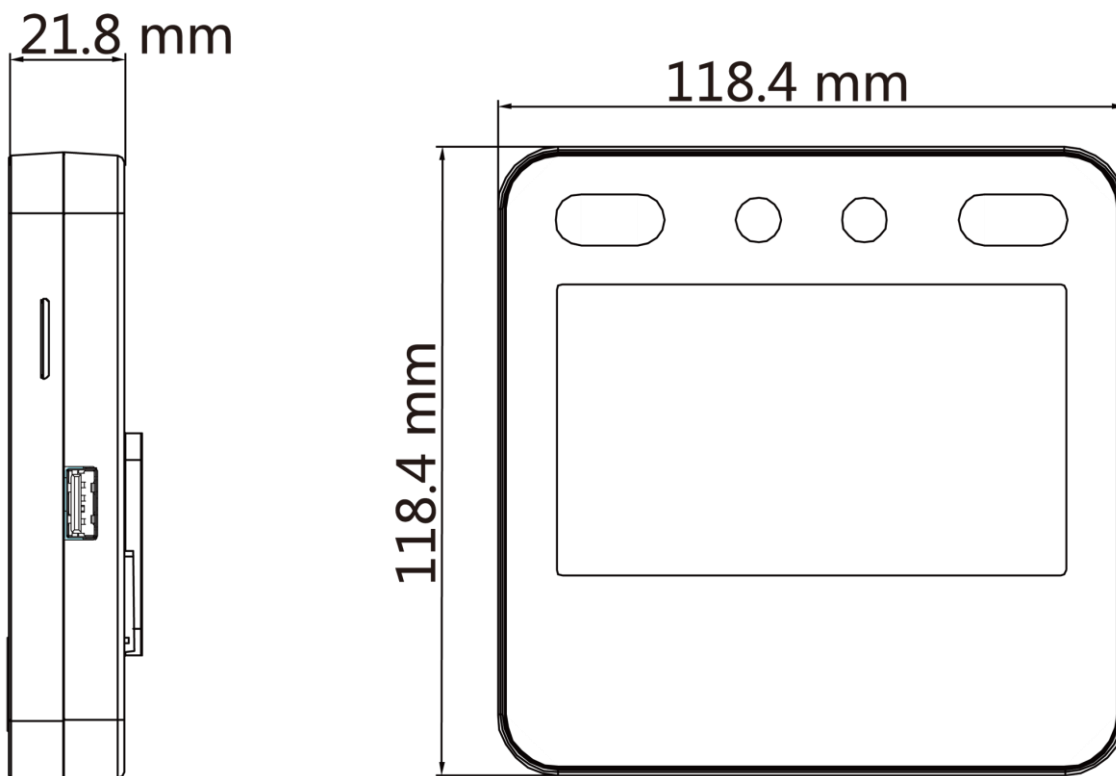
▪ Specification

System	
Operating system	Linux
Display	
Screen size	4.3-inch
Operation method	Touch screen
Resolution	480 × 272
Video	
Lens	2
Resolution	2 MP
FOV	HFOV = 75.5°; VFOV = 41.5°; DFOV = 87°
Video standard	PAL (Default) and NTSC
Audio	
Volume adjustment	Support
Interface	
USB	1
Capacity	
User capacity	1500
Face capacity	1500
Event capacity	300,000 attendance records
Authentication	
Face recognition distance	0.3 m to 1.5 m
Face recognition accuracy rate	≥ 99%
Face recognition duration	≤ 0.2 s
General	
Working temperature	-10 °C to 40 °C (14 °F to 104 °F)
Dimensions	118.4 mm × 118.4 mm × 21.8 mm (4.7" × 4.7" × 0.9")
Power supply method	12 VDC
Application environment	Indoor
Language	English, Spanish (South America), Arabic, Thai, Indonesian, Russian, Vietnamese, Portuguese (Brazil)

▪ Available Model

DS-K1A340X

▪ Dimension



BAINISYS

117/8, Changwatthana 10, LakSi, Bangkok 10210

Phone : (66 2) 094-0800

E-mail : sale@bainisys.com

Line Chat : @Bainisys

