

Model : RMS-TR13A

RMS-TR13A is a consent screen for visitors. It works perfectly with kiosk model RMS-TR13 in receptionist station mode. The 7-inch screen clearly shows electronic statements regarding purpose of the collection, use, or disclosure of the personal data. Furthermore, the screen can also be used by all visitors to complete health and safety questionnaire prior to attending office building.

The kiosk "RMS-TR13A" collects data to meet security, health and safety requirements for an effective way to enhance the visitor management experience

- Designed for Receptionist's Station
- Consent Screen for Visitors
- Health & Safety Questionnaire
- Fast Check-in with Face Registration & QR Code Authentication



Compatibility :



RMS-TR13

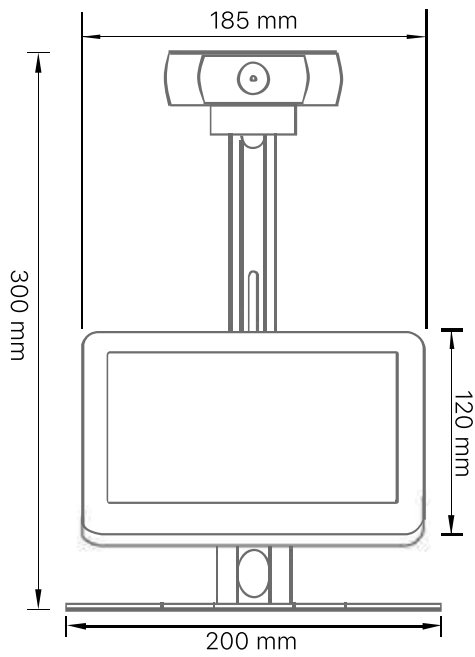


RMS-TR13A

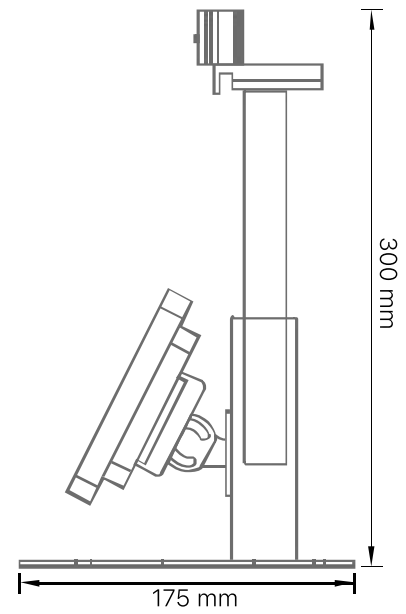
Screen	7" IPS Touch Panel <ul style="list-style-type: none">• 8-Core ARM Cortex A7 CPU, 1.2GHz• 2 GB Memory, 8 GB Nand Flash Memory• 1024 x 600 Resolution• Android 6.0, 350 nits brightness• Fanless, Silent 10-Point Touch Interactive Display• 24/7, Reliable Performance, No Moving Part
Facial Registration	Smart Facial Registration Camera <ul style="list-style-type: none">• 2MP @ 1920x1080 resolution• AGC for Self-adaptive Brightness• 15 – 30 cm Adjustable Camera Height
Power Consumption	IEEE 802.3af Power-over-Ethernet (PoE) 9 – 36 VDC, 1.5 A
Operating Temperature	0 - 40°C (32 - 104° F)
Relative Humidity	90% (40° C non-Condensing)
Material	Metal Table Stand, Industrial-grade Powder-Coated Color (White, Black, Grey) Fully-Cable Management



Dimension : RMS-TR13A



Front View



Side View