

## Model : RMS-TR13

RMS-TR13 is an effective visitor management kiosk, which goes beyond meeting and greeting visitors who enter the reception area of any business or public building. It is designed for both visitor self-service kiosk and receptionist's station. It works on behalf of receptionist, greeter, and security officer in order to enhance building security, protect facilities and employees, and improve employees' and visitors' overall experience.

It helps reduce wait times at the front desk with visitor self-registration. The pre-registered visitor or recurring visitors can use the fast check-in option by either face or QR code scan. For walk-in visitor, the system enables visitors to register with their ID card or passport together with face registration at the kiosk.

The kiosk "RMS-TR13" collects data to meet security and safety requirements for an effective way to enhance the visitor management experience

- Designed for Visitor Self-Service or Receptionist's Station
- Visitor Invitation & Pre-registration
- Fast Check-in with Face Registration & QR Code Authentication
- User-friendly with Touchless and Intuitive User Interface
- Customizable flow for access and exit that meets your security requirement
- Physical Security Hardware Integrability e.g., Turnstile, Access Control, Lift, AI CCTV, Meeting Room Booking System etc.



### Compatibility :



Gate Barrier



Access Control



Booking System



Digital Signage

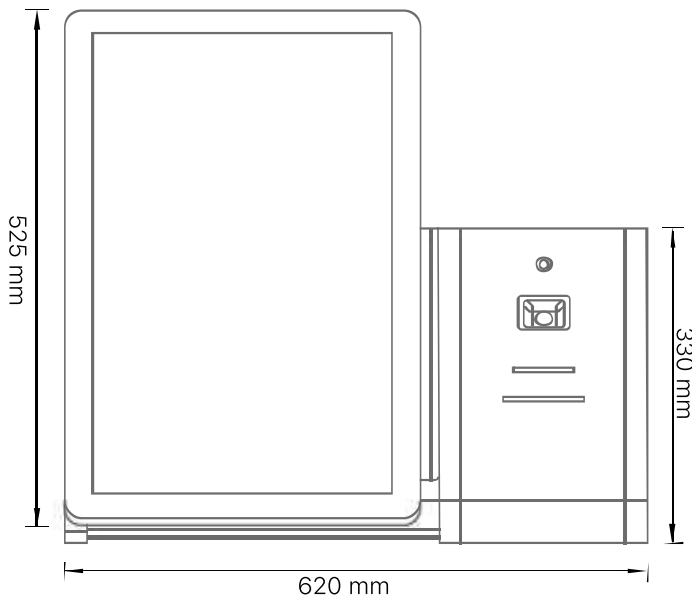


# RMS-TR13

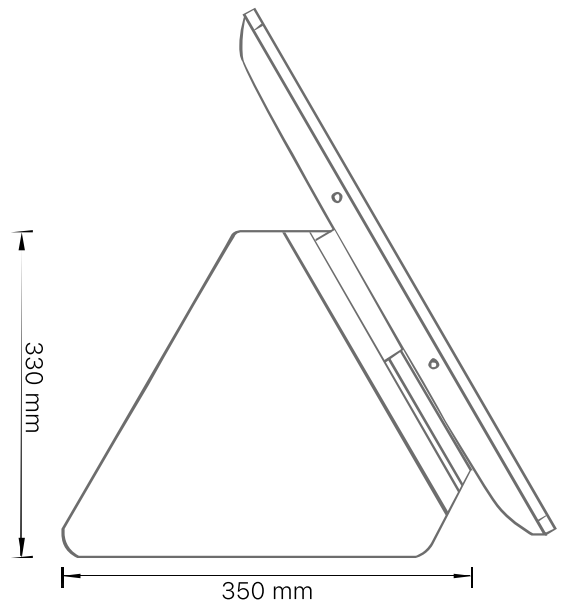
<b>Screen</b>	<b>21.5" Industrail All-In-One Touch PC</b> <ul style="list-style-type: none"> <li>• Intel BayTrail N2930</li> <li>• Fanless, Silen 10-Point Touch Interactive Display</li> <li>• 24/7, Reliable Performance, No Moving Part</li> <li>• Handles Higher Operation Vibration</li> <li>• Ultra Slim Form Factor (33mm)</li> </ul>
<b>Facial Registration</b>	<b>Smart Facial Registration Camera</b> <ul style="list-style-type: none"> <li>• 2MP @ 1920x1080 resolution</li> <li>• AGC for Self-adaptive Brightness</li> <li>• AI Face Detection</li> </ul>
<b>QR - Card Reader</b>	<b>Intelligent High-Speed Dual Reader</b> <ul style="list-style-type: none"> <li>• QR Code, Data Matrix, PDF417, GS1 Databar, Code 128 /FAN128 UPC/FAN, Codabar, Code 39/93</li> <li>• Mifare Ultralight / S50 / S70 / DESFire EV1 / Ntag</li> <li>• Operating Frequency @ 13.56 MHz.</li> <li>• Reading Distance <math>\geq</math> 5 CM (QR), <math>\geq</math> 5CM (RFID Card)</li> <li>• ISO / IFC 14443A International Standard</li> </ul>
<b>Thai National ID Card Reader</b>	<b>High-Speed Thai National ID Card Reader</b> <ul style="list-style-type: none"> <li>• ISO 7816 Standard</li> </ul>
<b>Passport Reader</b>	<b>High-Speed MRZ Passport Scanner</b> <ul style="list-style-type: none"> <li>• Full Page Image Scan @ less than 1 second</li> <li>• Resolution up to 600 dpi</li> <li>• ICA09303 Specification Part 1-2 Standard</li> </ul>
<b>No Touch Sensor</b>	<b>Contactless Consent Acknowledgement</b> <ul style="list-style-type: none"> <li>• Diffused Detecting Sensor</li> </ul>
<b>Cooling System</b>	<b>Industrial Cooling Fan with Alarm</b> <ul style="list-style-type: none"> <li>• 12VDC, 0.24A, 36dB(A) Noise Level</li> </ul>
<b>Power Consumption</b>	220VAC, 120 W
<b>Operating Temperature</b>	0 - 40°C (32 - 104° F)
<b>Relative Humidity</b>	90% (40° C non-Condensing)
<b>Material</b>	Metal Casing, Industrial-grade Powder-Coated Color (White, Black, Grey)
<b>Accessory</b>	7" Touch Screen with Facial Registration Camera (Model: RMS-TR13A)



# Dimension : RMS-TR13



Front View



Side View