

DS-K3G501SX Tripod Turnstile



The DS-K3G501 series tripod barrier is designed to detect unauthorized entrance or exit. By adopting the turnstile integratedly with the access control system, person should authenticate to pass through the lane via presenting IC or ID card, scanning QR code, etc. It is widely used in attractions, stadiums, construction sites, residences, etc.

- TCP/IP network communication: the communication data is specially encrypted to relieve the concern of privacy leak.
- Barrier open/closed, free accessing, forbidden mode are selectable.
- Bidirectional (entering/exiting) lane
- Remote control and management
- LED indicates the entrance/exit and passing status.
- Fire alarm passing: when the fire alarm is triggered, the barrier will be dropped automatically for emergency evacuation.
- Valid passing duration settings: system will cancel the passing permission if a person does not pass through the lane within the valid passing duration.



▪ Approval

CE/FCC/CB/RoHS/REACH/WEEE

▪ Specification

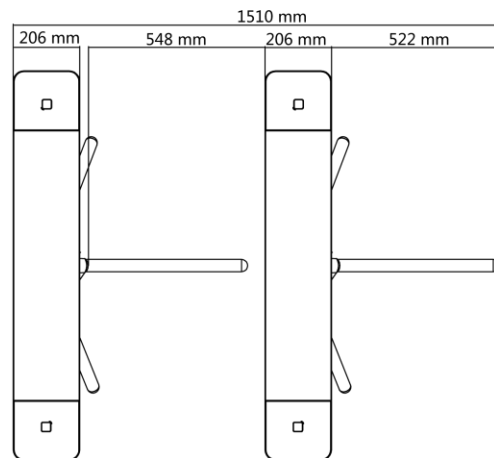
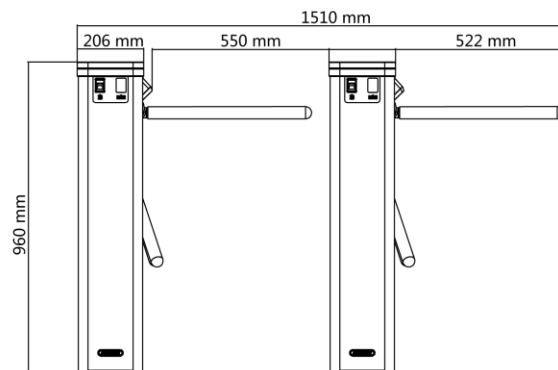
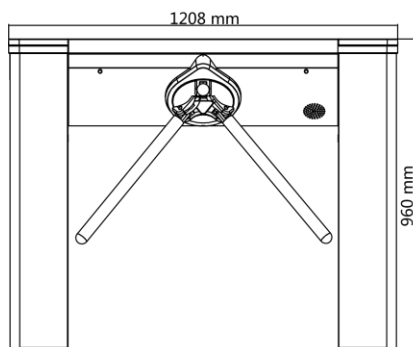
System	
MCBF	> 3 million times
Interface	
RS-232	4
RS-485	4
Lock output	2
IO input	2
IO output	2
Network interface	1
Capacity	
Card capacity	60,000
Event capacity	180,000
General	
Throughput	More than 35 persons per minute The actual throughput is affected by the person passing rate and passing method.
Power supply method	100 to 240 VAC; 50 to 60 Hz
Working temperature	-20 °C to 65 °C (-4 °F to 149 °F)
Lane width	550 mm
Working humidity	0% to 95% (no condensing)
Dimensions	Without package: 232 mm × 960 mm × 1208 mm (9.1" × 37.8" × 47.6") With package: 390 mm × 1185 mm × 1320 mm (15.4" × 46.7" × 52.0")
Pedestal material	SUS304 stainless steel
Application environment	Indoor and outdoor
Protective level	IP54
Weight	Without package: 45 kg (99.2 lb) With package: 69 kg (152.1 lb)
Approval	CE/FCC/CB/RoHS/REACH/WEEE
Configuration	
Module selection	YES
Authentication mode	Card,Face,Fingerprint,QR code
Card type	EM,M1
Wall distance	10 mm
Lane width	550
Recommended width	550
Pedestal width	230 mm
Pedestal length	1210 mm
Barrier material	Stainless steel pipe
Base	YES
Side pedestal	YES

Base model	DS-K3G501-BASE
Side pedestal type	Empty (230 mm)/fence (130 mm)
Product type	Tripod Turnstile
Remote controller type	433 Mhz,868 Mhz

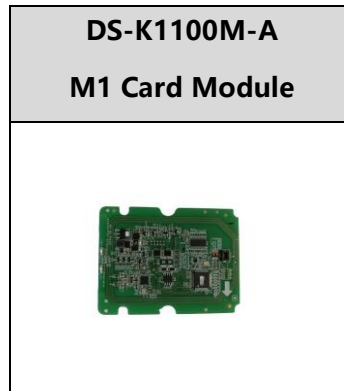
▪ **Available Model**

DS-K3G501SX-R/MPg-Dm55(O-NEU)/ESD

▪ **Dimension**



- Accessory
- Included



▪ Optional

DS-K7F01 Fence of K3G501	DS-KAB-COVER Barrier's Face Recognition Install Hole's Cover	DS-K3G501-BASE DS-K3G501-BASE
		

